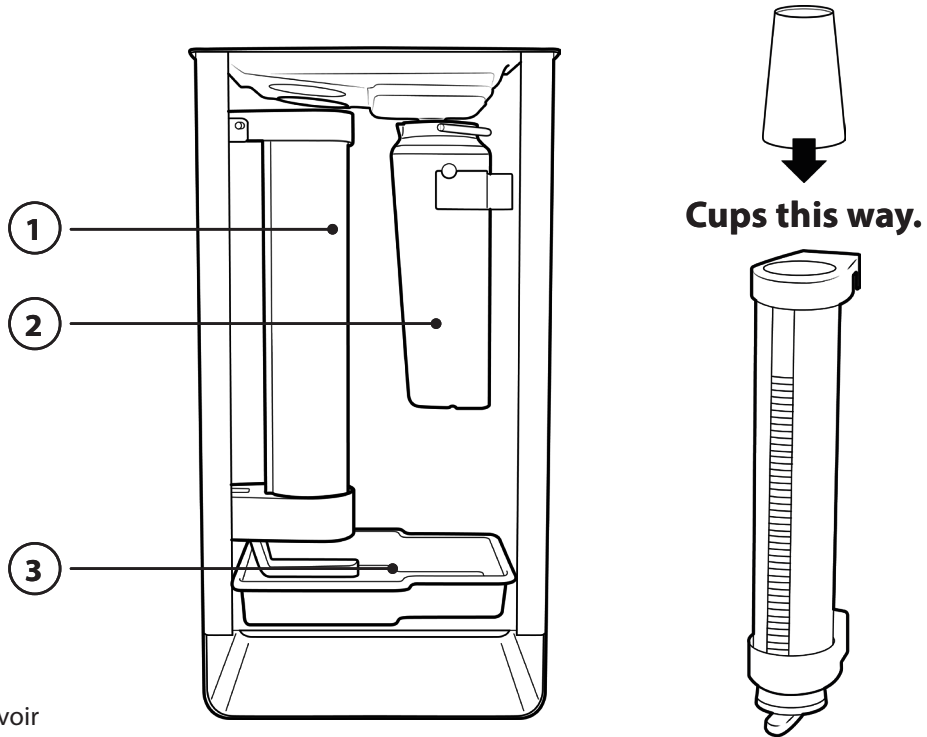




ELECTRA™ CUP RECYCLING

OPERATOR INSTRUCTIONS

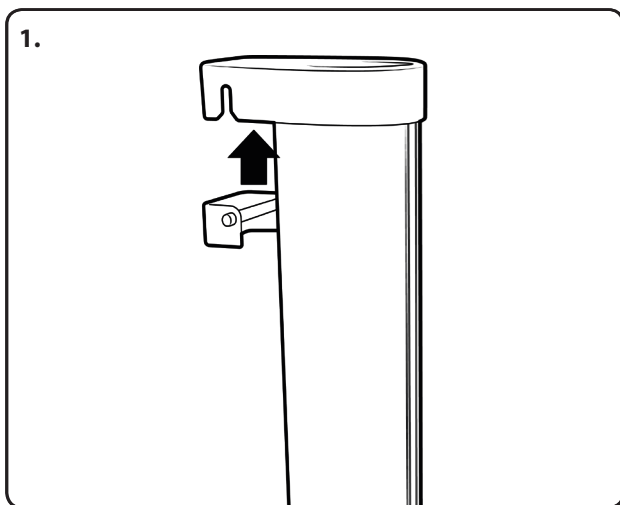
IMPORTANT NOTE: PLEASE ENSURE THAT ALL RELEVANT PERSONNEL READ THE POINTS LISTED WITHIN THIS LEAFLET AND THAT A COPY IS GIVEN TO STAFF INVOLVED WITH THE INSTALLATION AND MAINTENANCE OF THIS PRODUCT
SAFETY NOTE: PLEASE REFER TO 'THE MANUAL HANDLING OPERATIONS REGULATIONS 1992' DURING HANDLING.



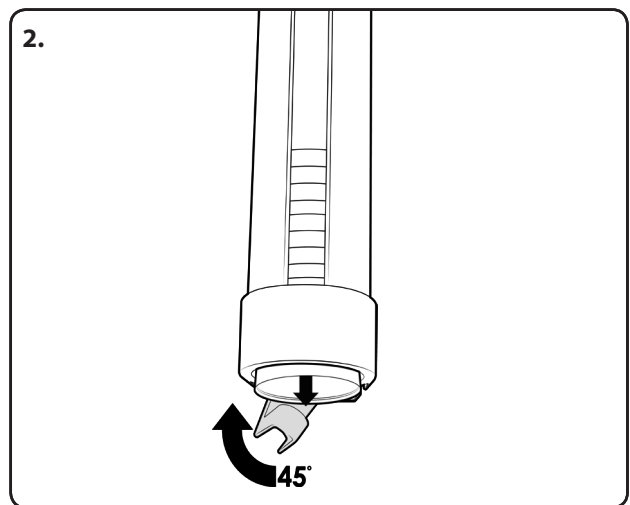
CONTENTS:

- ITEM 1 - Cup Stacker
- ITEM 2 - Liquids Reservoir
- ITEM 3 - Drip Tray

Emptying Cup Stacker



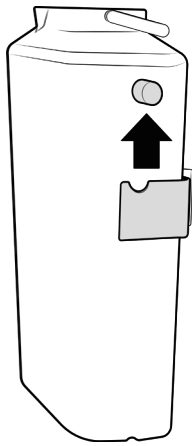
To transport the cup stacker (Item 1), lift off the bracket.



To remove the cups, move the quick release to the right.

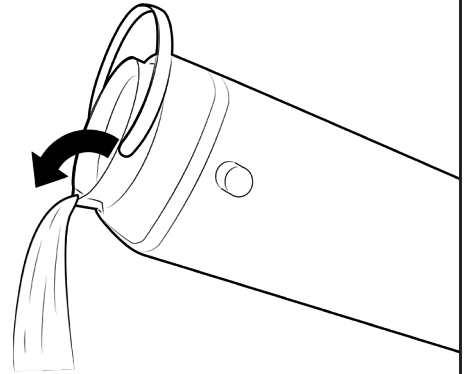
Emptying Liquid Reservoir

3.



To empty or clean, remove the reservoir (Item 2) from the bracket.

4.



Carefully dispose of the liquid. Proceed in cleaning the reservoir.



ELECTRA IS A TRADEMARK OR REGISTERED TRADEMARK OF GLASDON GROUP OR ITS SUBSIDIARIES IN THE U.K. AND OTHER COUNTRIES

- A planned maintenance schedule or regular inspection is recommended, replacing components as necessary.
- Replacement components are available direct from GLASDON.
- GLASDON cannot be held responsible for claims arising from incorrect installation, unauthorised modifications or misuse of the product.

Issue 1 - December 2018 - Stock No. C000/0522 - DWG No. 07B-354-108

© Copyright DECEMBER 2018

Glasdon UK Ltd reserve the right to alter specifications without prior notice.



Glasdon®

Glasdon U.K. Limited

Preston New Road
BLACKPOOL
Lancashire
FY4 4UL

Tel: (01253) 600410

Fax: (01253) 792558

e-mail: sales@glasdon-uk.co.uk

web: www.glasdon.com